



**LOUIS CHEVROLET**  
**SWISS WATCHES**

INSTRUCTION MANUAL LC8

Version 1  
September 2022



**Congratulations and thank you for your purchase.**

**By choosing this watch you have entered the  
Louis Chevrolet universe!**

Being of Swiss origin and born just a few kilometers from our factory, we had to honor Louis Chevrolet, the illustrious man who made history.

From car mechanics to watchmaking precision, there was only one step to take. The latter was all the easier because his father was himself a talented watchmaker.

You are now one of the thousands of ambassadors of our brand!  
Welcome to the Louis Chevrolet family

André SAUNIER

CEO



## Contact



LOUIS CHEVROLET SWISS WATCHES SA  
Rue Pierre Péquignat 11  
2900 Porrentruy - Suisse



[info@louischevrolet.ch](mailto:info@louischevrolet.ch)



+41 (0)32 465 38 08



[@louischevrolet](https://www.facebook.com/louischevrolet)



[louischevroletwatches](https://www.instagram.com/louischevroletwatches)



[Louis Chevrolet Swiss Watches](https://www.linkedin.com/company/louis-chevrolet-swiss-watches)

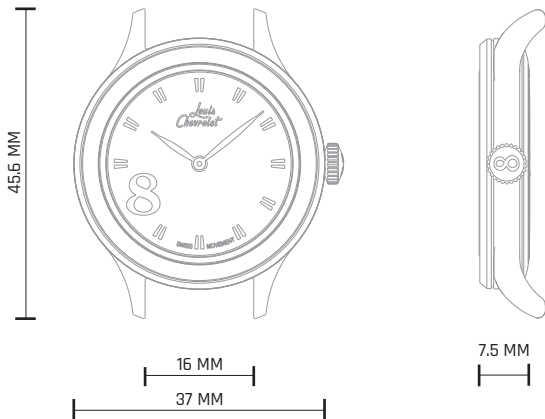




Technical specifications	p.6
Watch presentation	p.7
Strap and ring changing	p.8
Setting the time	p.10



## Technical specifications



### Case

31.8 grams

316L stainless steel

Sapphire two sides anti-reflective crystal

Water resistant 30 meters / 100 feet

### Movement

RONDA 762.E

Hours, minutes

Autonomy of 10 years



## Watch presentation



1 - Hours hand

2 - Minutes hand

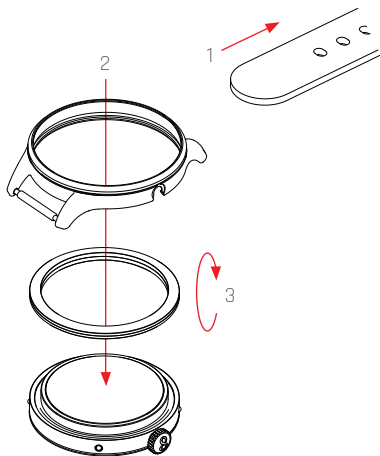
3 - Crown

A : Normal position

B : Setting time position



## Strap and ring changing (1/2)

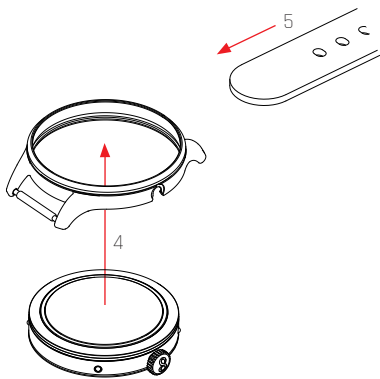


- 1. Remove the strap
- 2. Push on the glass to unclip the watch
- 3. Change or return the ring in place





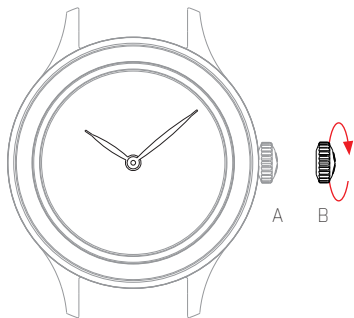
## Strap and ring changing (2/2)



- 4. Clip the watch
- 5. Insert the strap of your choice



## Setting the time



- Pull the crown out to position B.  
(watch stopped)
- Turn the crown, until the current time is displayed.
- Push the crown back into position A.

"NEVER  
GIVE UP"