



*Louis
Chevrolet*

INSTRUCTION MANUAL NUMBER LC6

Version 1
August 2020



Contact



LOUIS CHEVROLET SWISS WATCHES SA
En Roche de Mars 10
2900 Porrentruy - Suisse



info@louischevrolet.ch



+41 (0)32 465 38 08



@louischevrolet



louischevroletwatches



@Louis_Chevrolet



Louis Chevrolet Swiss Watches

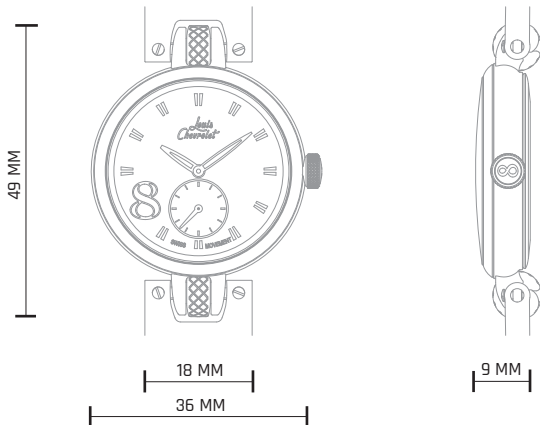




Technical specifications	p.5
Watch presentation	p.6
Strap changing	p.7
Setting the time	p.9



Technical specifications



Case

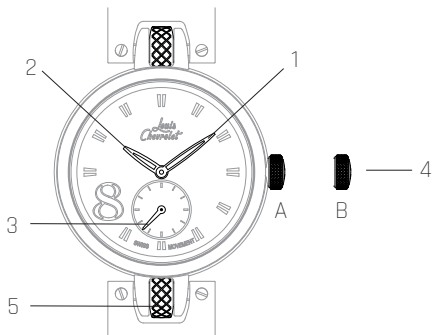
33 grams
316L stainless steel
K1 mineral convex two sides
anti-reflective crystal
Water resistant 50 meters / 165 feet

Movement

RONDA 1069
Hours, minutes, small seconds
Autonomy of 54 months
6 jewels



Watch presentation



1 - Minutes hand

2 - Hours hand

3 - Seconds hand

4 - Crown

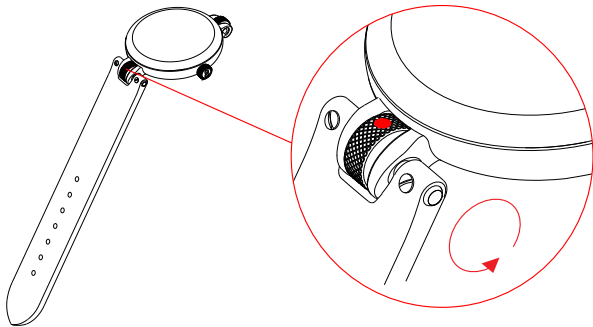
A : Normal position

B : Setting time position (stopping second)

5 - Wheel (strap changing)



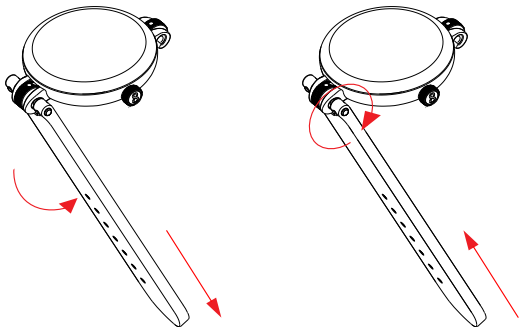
Strap changing (1/2)



- Turn the wheel anticlockwise to unlock the strap
(a red point appears to inform you of the opening)



Strap changing (2/2)

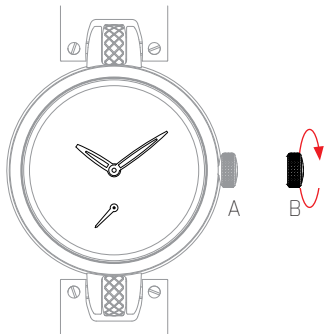


- Toggle the strap then pull it down
- Engage the new strap then turn the wheel clockwise to lock it

NB : Redo the pages 8 et 9 to change the other side



Setting the time



- Pull the crown out to position C.
(watch stopped)
- Turn the crown, until the current time is displayed.
(remember the 24-hour cycle)
- Push the crown back into position A.

"NEVER
GIVE UP"