

*Louis  
Chevrolet*

INSTRUCTION MANUAL NUMBER 8

Version 1  
November 2018

Congratulations and thank you for your purchase.

**By choosing this watch you have entered the  
Louis Chevrolet universe!**

Being of Swiss origin and born just a few kilometers from our factory, we had to honor Louis Chevrolet, the illustrious man who made history.

From car mechanics to watchmaking precision, there was only one step to take. The latter was all the easier because his father was himself a talented watchmaker.

You are now one of the thousands of ambassadors of our brand!  
Welcome to the Louis Chevrolet family

André SAUNIER  
CEO





LOUIS CHEVROLET SWISS WATCHES SA  
En Roche de Mars 10  
2900 Porrentruy - Switzerland



info@louischevrolet.ch



+41 (0)32 465 38 08



@louischevrolet



louischevroletwatches



@Louis\_Chevrolet

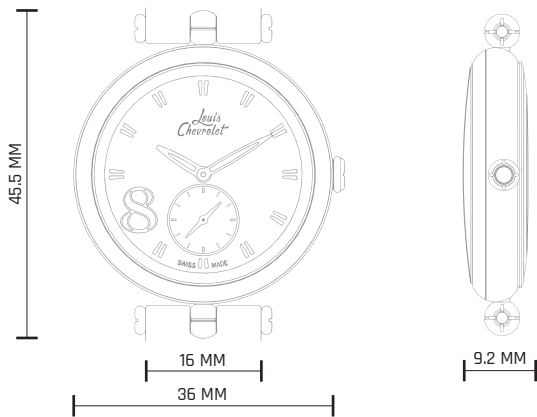


Louis Chevrolet Swiss Watches



Technical specifications	p.6
Watch presentation	p.7
Setting the time	p.8

## Technical specifications



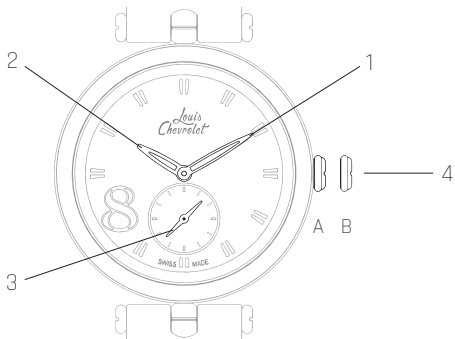
### Case

- 30 grams
- 316L stainless steel
- Mineral K1 glass
- Water resistant 30 meters / 100 feet

### Movement

- Ronda 1069
- Hours, minutes, seconds
- Autonomy of 34 months
- 6 jewels

## Watch presentation



1 - Minutes hand

2 - Hours hand

3 - Seconds hand

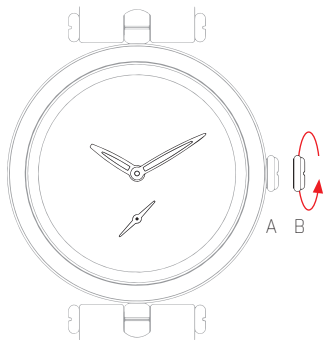
4 - Crown

A : Normal position

B : Setting time position

# LC

## Setting the time



- Pull the crown out to position B.  
(watch stopped)
- Turn the crown, until the current time is displayed.
- Push the crown back into position A.



"NEVER  
GIVE UP"